

Foot Floor dowel, washer

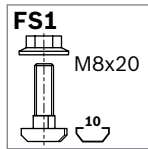
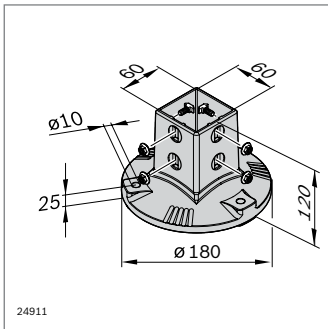
Foot

- ▶ For constructing supports made of 80x80L and 60x60 profiles
- ▶ Large installation surface for good stability
- ▶ Easy cleaning due to small number of horizontal surfaces
- ▶ Open on the inside to allow draining of liquids
- ▶ End stop as depth limit for profile (removable)

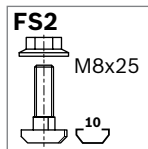
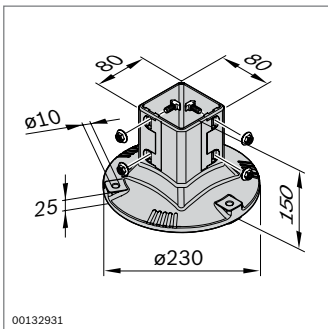
Required accessories:

- ▶ floor dowel **3 842 540 668**
- ▶ washer **3 842 546 717** or **3 842 546 718**

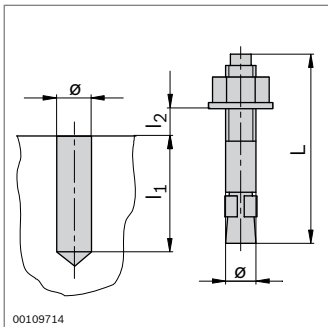
19629



24911



00132931



00109714

Foot, AL	No.	FS
60x60	1 3 842 544 875	4xFS1

Material: aluminum, silver coating (RAL 9006)
Fastening material: steel; galvanized

Scope of delivery: incl. fastening material (FS1)

Foot	No.	FS
80x80	3 842 540 173	4xFS2

Material: aluminum, silver coating (RAL 9006)
Fastening material: steel; galvanized

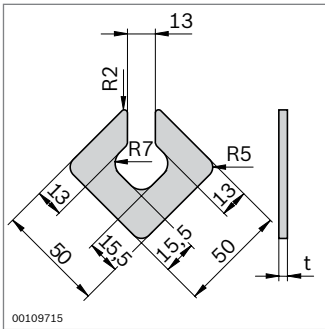
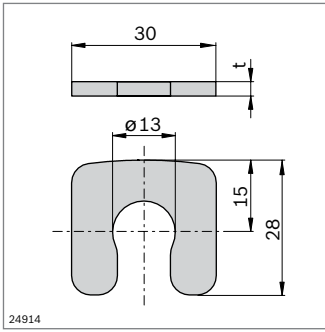
Scope of delivery: incl. fastening material (FS1)

Floor dowel

- ▶ For anchoring the base plates

Floor dowel	Ø	L	l ₁	l _{2 max}	No.
	(mm)	(mm)	(mm)	(mm)	
	8	80	65	15 100	3 842 526 560
	10	90	70	15 100	3 842 526 561
	8	95	65	30 100	3 842 540 668

Material: steel; galvanized



Washer

► For leveling on uneven flooring

Washer	t (mm)		No.
for round feet	1	100	3 842 546 717
	3	100	3 842 546 718

Material: steel, stainless

Washer	t (mm)		No.
for square feet	1	100	3 842 528 189
	4	100	3 842 528 191

Material: steel, stainless